



PT112 Rigid stem



PT124B Flex tube



PT131B P&T incorporate

Features & Application

Accuracy better than $\pm 0.5\%$

Stainless steel sealed

80% shunt calibration

Good stability and repeatability

PT112/PT123/PT133 series transducer is a $\pm 0.5\%$ sensor ideal for melt pressure applications requiring high performance, simple installation, good repeatability and stability. The transducer Equipped with a 6 pin or a 8 pin connector the transducer is completely interchangeable with other international resembling products, widely used in chemical fiber machine, rubber and plastic machine, etc.

Specification

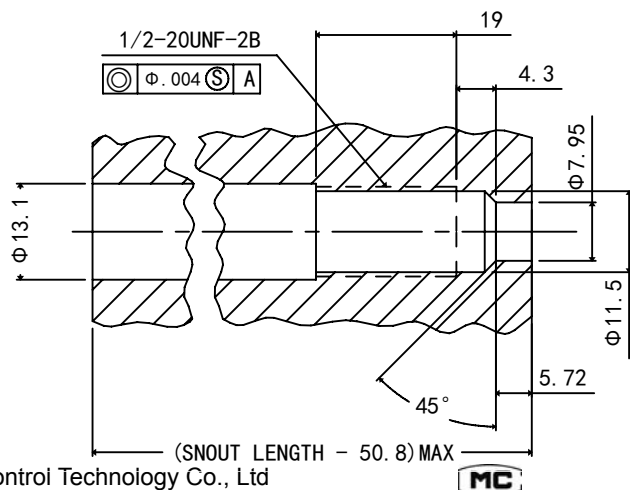
Range	0~10bar~2000bar,(0~5MPa~300MPa)
Accuracy	$\pm 0.25\%FS$, $\pm 0.5\%FS$
Power	10Vdc
Output	1.5mV/V, 2mV/V, 2.5 mV/V, 3.33 mV/V
repeatability	$\pm 0.2\%FS$
Load resistance	350 ohms $\pm 10\%$
Shunt calibration	80% $\pm 1\%$
Overload	1.5 \times FS
Thermocouple	PT133 (pt100; E; J; K)
Max diaphragm temp	PT112(320 $^{\circ}C$), PT123(400 $^{\circ}C$), PT133(500 $^{\circ}C$)
Electronic connection	6pin or 8pin
Process connection	1/2"-20UNF, M14 \times 1.5, M18 \times 1.5,M22,G3/4

Ordering Instruction

PT123 -35MPa-1/2-6/18-3.33mV/V-6PIN

Flex tube type , 0-35Mpa pressure range, 1/2-20UNF threaded connection, length of screw 6 inch (152mm) , length of flex tube 18 inch (456mm) , 4-20mA output, 6pin connector. .

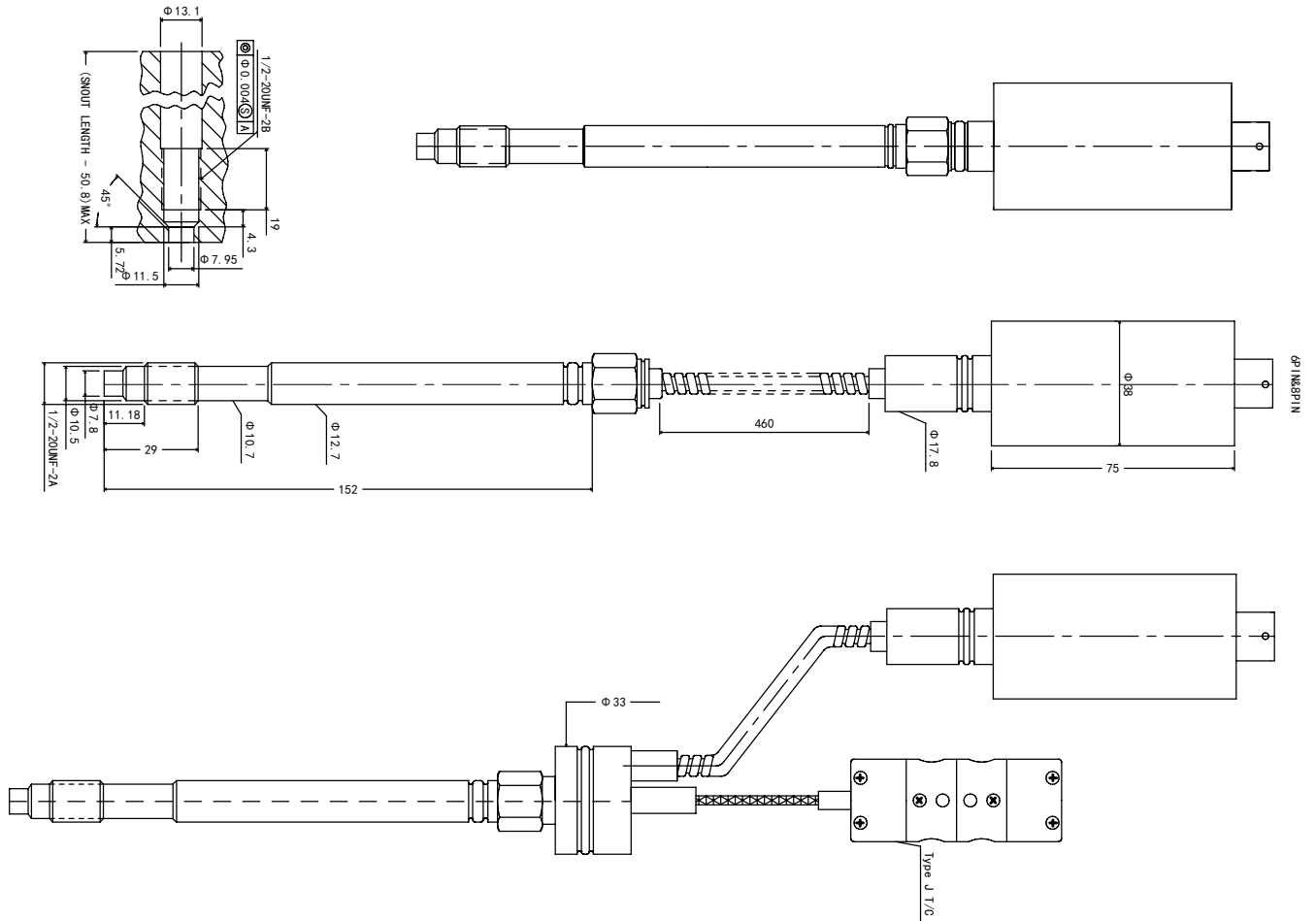
Trepanning size





沪制01120059

Dimension



Electronic connection

Output	Function	color	6pin		Output	Function	color	6pin
3.33mV/V 0-5V; 0-10V	signal +	Blue	A		Output: 4-20mA	power +	red	A
	signal -	Green	B			power -	blue	B
	power +	Red	C			calibration	black	E
	power -	Yellow	D			calibration	brown	F
	calibration	Black	E					
	calibration	Brown	F					
Output	Function	color	8pin		Output	Function	color	Lead
Output: 3.33mV/V 0-5V; 0-10V	signal +	signal +	A		Output: 4-20mA	power +	red	A
	signal -	signal -	B			power -	blue	B
	power +	power +	C			calibration	black	E
	power -	power -	D			calibration	brown	F
	calibration	calibration	E					
	calibration	calibration	F					
—	—	—	G					



Shanghai HaoYing Measurement & Control Technology Co., Ltd
 No.3988 Humin Road Shanghai China (Xin Zhuang Industrial Park) Zip:201108
 Tel:(+86)-021-34073371 Fax:(+86)-021-34073322
<http://www.hysensor.com>



E-mail:info@hysensor.com