

PI900/PI800/PI600 series Intelligent Digital Indicator



Features & Application

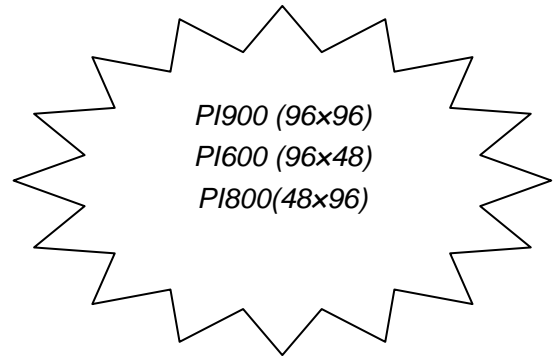
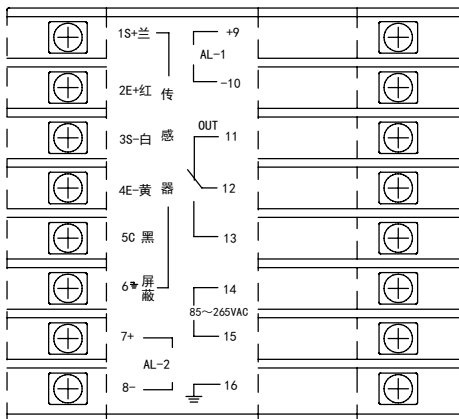
High accuracy, good interference resistance
 Small volume, light weight, low power cost
 Good stability and repeatability

PI900/PI800/PI600 intelligent digital indicator enables all panel operating to work with PT series pressure transducer. They are suitable for pressure controlling of various chemical industry equipment in chemical fiber, plastic machine, hydraulic pressure, die-casting, and centre air-condition system, constant pressure water supply, air compressor and etc

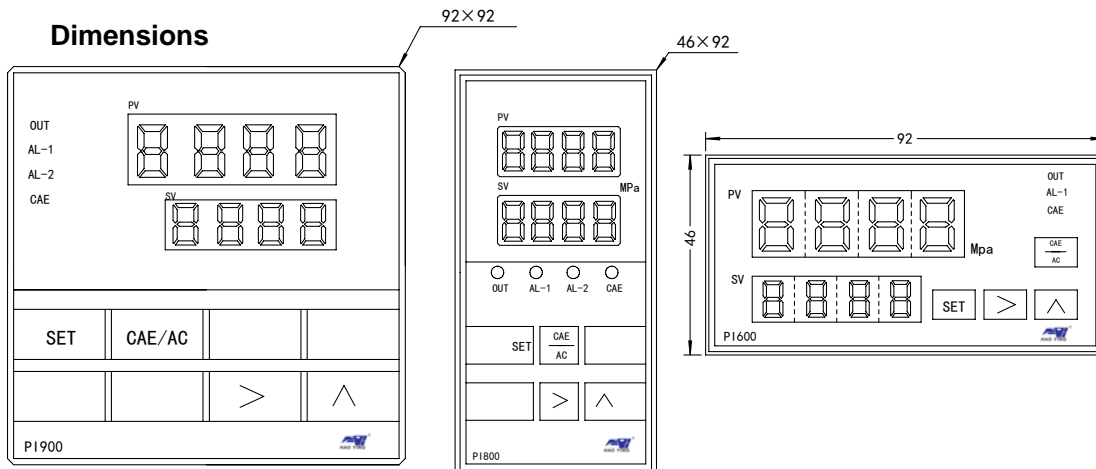
Specification

Display	Two-layer 4-digit LED display
Range	0.100~9999 (Radix point changeable)
Power	85~265VAC
Input	1.5mV/V, 2mV/V, 2.5 mV/V, 3.0 mV/V, 3.33 mV/V, 4/20mA
Output	4~20mA, 1~5V, 0~5V, 0~10V, RYALM, RS232, RS485 串行通讯
Repeatability	±0.2%FS
Dimensions	92×46, 46×92, 92×92

Indicator wiring diagram



Dimensions



Shanghai HaoYing Measurement & Control Technology Co., Ltd
 No.3988 Humin Road Shanghai China (Xinzhuan Industrial Park) Zip:201108
 Tel:(+86)-021-34073371 Fax:(+86)-021-34073322
<http://www.hysensor.com>



E-mail: info@hysensor.com