

TT-E K J series temperature transducer



Features & Applications

Good shock resistant, high pressure endurable
Good stability, high accuracy
Various of manners of installation
Customized design, OEM

TT-EKJ series adopt excellent element, and characteristic of function to measure the temperature. TT series have wide application in measure and control the temperature of the equipment of chemical fibre, rubber plastic, petroleum, paper making, water and electricity, foodstuff and so on.

Specification

Thermocouple Type: K, E, J

Temperature measurement ranges: $-50^{\circ}\text{C}\sim 1300^{\circ}\text{C}$ ($122^{\circ}\text{F}\sim 2400^{\circ}\text{F}$)

Accuracy: Class A: $\pm(0.15\% \pm 0.2\%t)$ Class B: $\pm(0.3 \pm 0.5\%t)$

Electric connection: 2PIN, Special design

Process connection: 1/2"-20UNF, M14×1.5, M18×1.5, G3/4, special design

Minimum posting depth: The minimum posting depth of Thermal resistance $\geq 10\text{mm}$ (special requirement negotiable)

Insulated intensity: 100MΩ/100VDC

Let-through current: $\leq 5\text{mA}$

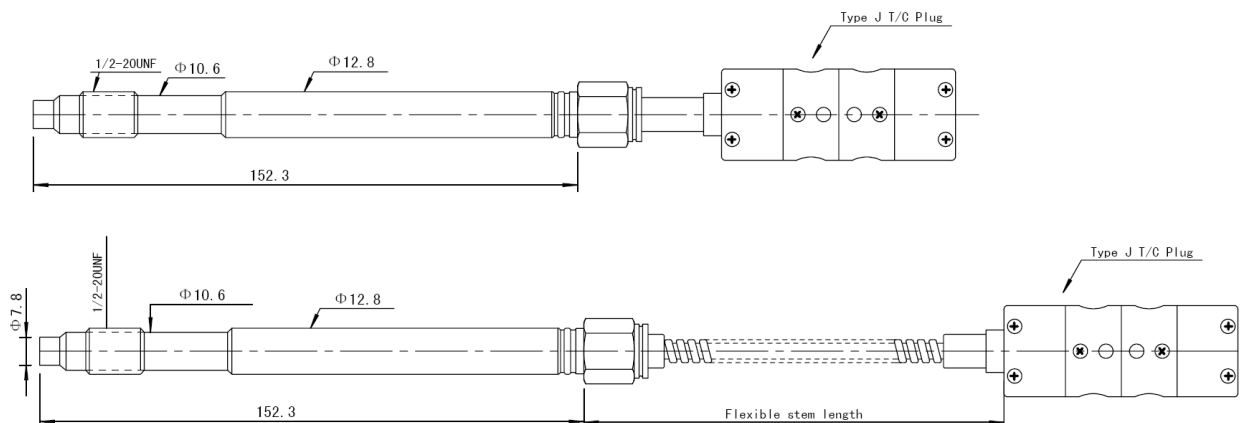
Nominal pressure: Generally refer to the other pressure of static behavior that protects managing and can bear under the temperature of the work piece without breaking

Order notice:

For order, please indicate as follows:

(1) Product name (2) Product type (3) Graduation (4) protection tube material and diameter (5) Length and posting depth (6) Quantity (7) Fixing thread (8) Customer specific technology

Diagram



Shanghai HaoYing Measurement & Control Technology Co., Ltd

Add: No.125, 3740 Lane, Huaning Road, Xinzhuang Industrial Zone, Minhang District, Shanghai, China

Zip Code: 201108

Tel: +86-21-34074072 /34074082 Fax: +86-21-34074025

E-mail: info@hysensor.com Web: www.hysensor.com

